

RHODA

IMPORTANT.....PAGE 2
TECHNICAL DETAILS.....PAGE 3 TO 4
INTALLATION OF BASIN UNIT.....PAGE 4 TO 6



FITTING INSTRUCTIONS

Important:

- Unpack the units carefully ensuring not to scratch them with the knife blade. Inspect every item carefully before installation as no claim for faults or damages will be accepted once the item is installed.
- We recommend that you use protection (for example a blanket) to cover the working area. Mirrors and worktops are very fragile, we recommend that you put them on battens (and never directly onto the floor).
- Our furniture is designed to be fitted on a level, flat finished wall.
- It is imperative that you use a sanitary grade silicone sealant at the back and sides of every worktop as water infiltrations will damage your unit and this is not covered under our product guarantee.
- All surfaces of all units should not be exposed to standing water or persistent humidity. They must be wiped and dried off immediately after use. If your unit is not cared for correctly it will deteriorate and this will not be covered under our product guarantee.
- All our units are guaranteed for 5 years* from date of invoice (1 year for mirrors, electrical items, cisterns, WC frames, sanitary ware, taps and accessories) against all manufacturing defects acknowledged by our company, limited to domestic users.
- The guarantee does not apply to any products that have been misused or abused in any way.

The products must be installed and cared for in line with our fitting instructions, local water byelaws, IEE electrical directives and any other applicable regulations.

- In the unlikely event that the product fails within 5 years* (1 year for mirrors, electrical items, cisterns, WC frames, sanitary ware, taps and accessories), we offer a free of charge replacement part (or nearest equivalent). Liability is limited to individual products and does not cover consequential loss/damage or any further unfitting/refitting costs or financial compensation.

The customer will be required to pay for the installation cost of the replacement part.

* Upon completion and registration of the enclosed Guarantee card, refer to general terms of sale

MAINTENANCE:

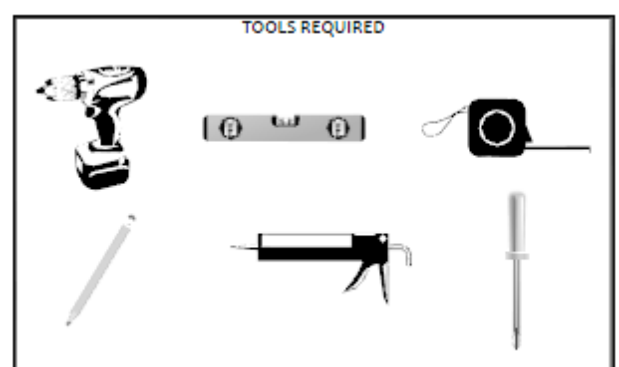
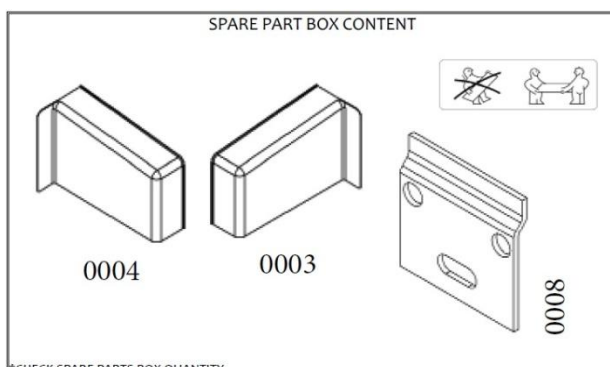
- Wipe and rinse the surface of the furniture after contact with any chemical product.
- Do not use abrasive cream (cif, etc...), wire wool, scouring pad, solvent, acid, etc...
- Dry the surface off with a soft cloth after cleaning
- For mirrors, use a chamois leather, and dry the edges with a suitable soft cloth.
- Use a dry cloth to clean any electric components, they must be switched off

OUR FURNITURE WILL DETERIORATE THROUGH EXCESSIVE WATER SPILLAGE OR HEAVY CONDENSATION. IT IS ADVISED THAT EVERY BATHROOM SHOULD BE WELL VENTILATED AND FITTED WITH A SUITABLE EXTRACTOR FAN TO AVOID ANY PERSISTENT HUMIDITY AND ALL FURNITURE SHOULD BE PROTECTED WITH BATH/SHOWER SCREEN ENCLOSURES TO PRESERVE THEIR QUALITY.

ELECTRICAL INSTALLATION:

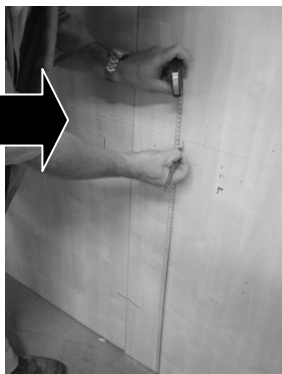
All Ambiance Bain units fitted with electrical components (mirrors, mirrored cabinets, sockets, etc...) must only be installed in ZONE 3. Installation and fitting of all electrical items must be completed by a qualified electrician. Any final decisions regarding the installation should also be made by the electrician. All electrical items must be tested prior to installation, as liability is limited to replacement items only.

All information is downloadable from the website www.ambiancebain.co.uk

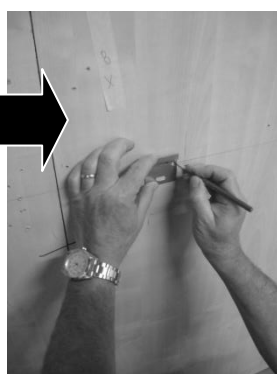


INSTALLATION OF BASIN UNIT

1. FIX THE WALL PLATES "0008" (screw and wall plugs not included)



1 Determine the finished height



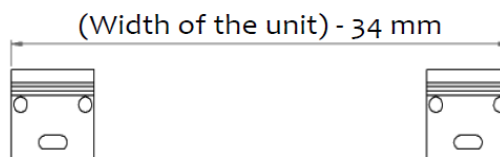
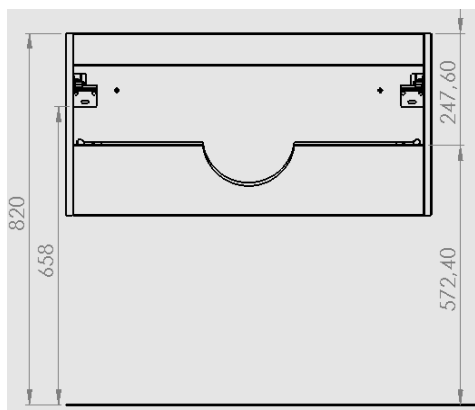
2 Position the plate, mark and drill



3 Fix the first wall plate



4 Place the second wall plate aligning it with the first one



All dimensions are in mm.
The dimensions are given to the bottom of the wall plate.



CAUTION:
Ensure that you use the correct fixing according to the type of wall construction.

2. REMOVE THE DRAWERS, SEE SEPARATE INSTRUCTIONS ATTACHED

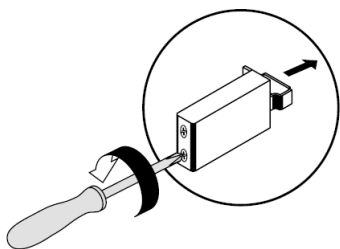


ADVICE :
Use wedges to put the unit on the floor

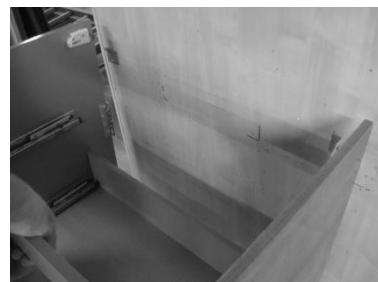
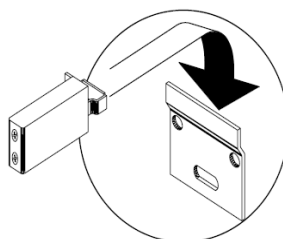


INSTALLATION OF BASIN UNIT

3. LOOSEN THE WALL HANGING BRACKETS ON THE UNIT



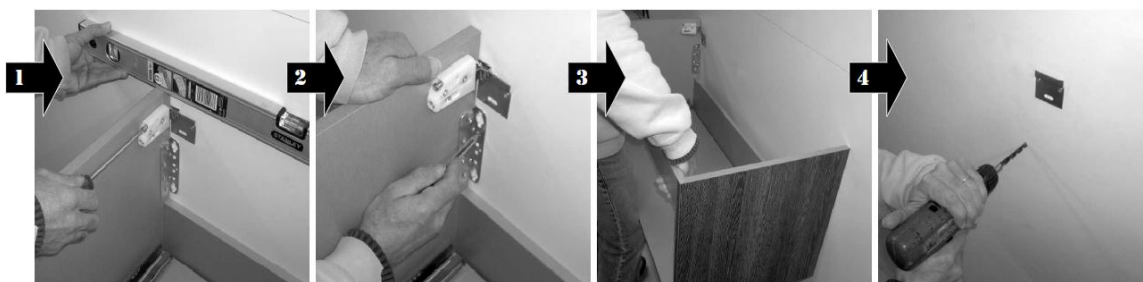
4. HANG THE UNIT ON THE WALL PLATES



5. MARK THE FIXING BRACKETS



CAUTION :
Ensure that you use the correct fixing according to the type of wall construction



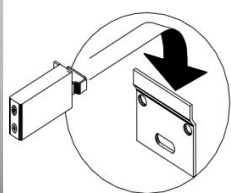
1 Adjust the level of the unit

2 Mark the holes of the fixing brackets

3 Remove the unit

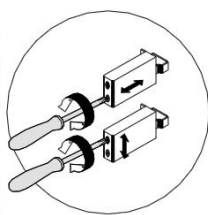
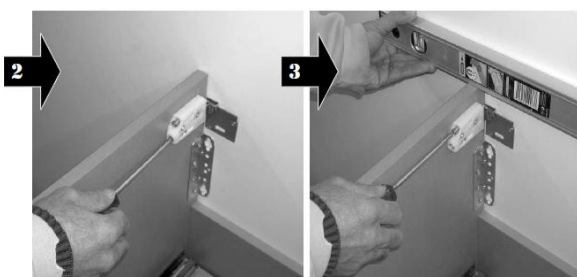
4 Drill the holes (wall plug not provided)

6. FIX THE UNIT ON THE WALL



CAUTION :
Ensure that you use the correct fixing according to the type of wall construction

1 Adjust the level of the unit



2 Tighten the brackets on the unit so that furniture fits to the wall

3 Adjust the level of the unit

4 Fix the extra brackets to the wall (screw not provided)

INSTALLATION OF BASIN UNIT

7. APPLY SILICONE ONTO THE UNIT AND CARCASS EDGES



8. INSTALL THE BASIN ONTO THE UNIT



9. CONNECT THE PLUMBING, CHECK FOR LEAKS

10. FIT THE WALL HANGING BRACKET COVERS "0003 and 0004"



11. APPLY SILICONE SEALS TO ALL EDGES



FAILURE TO APPLY THIS NECESSARY SEAL WILL INVALIDATE ANY PRODUCT WARRANTY

12. REFIT AND ADJUST THE DRAWERS, SEE SEPARATE INSTRUCTION ATTACHED



Ab
ambiance bain

www.ambiancebain.com / www.ambiancebain.co.uk

AMBIANCE BAIN - BP206 - 07502 Guilhaumand-Granges Cedex - FRANCE AMBIANCE BAIN UK - 15 Cranford Court, Hardwick Grange, Woolston, Warrington, Cheshire, WA1 4RX